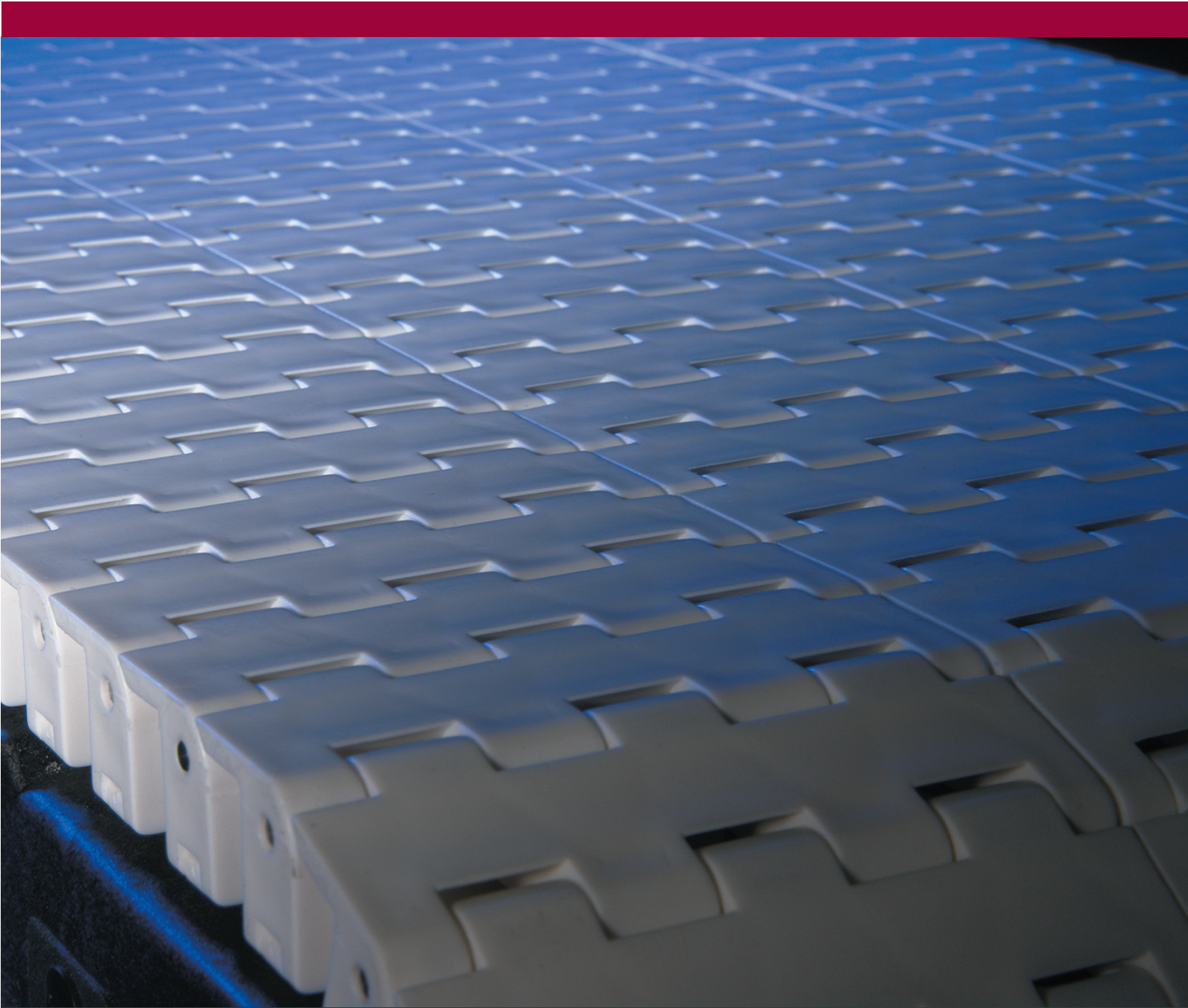


ST-Series

*ST-Series
Straight Conveyors*



SpanTech



your Material Handling Specialist



SpanTech



Span Tech - Your Material Handling Specialist

ST-Series

*Conveyors that do more than transport ...
they DELIVER.*

The remarkable flexibility of the Span Tech conveyor line allows you to specify a modular solution for your material handling needs.

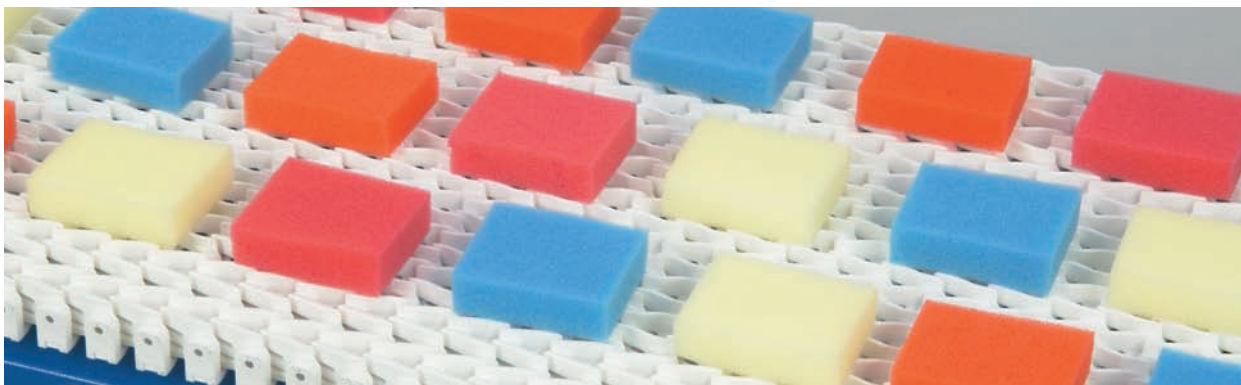
With our unique design, the chain is completely captured to the conveyor. There are no dangerous catenaries or take-ups, which means:

- *Less chance of injuries*
- *No tracking problems*
- *A very quiet system*
- *Ability to run at high speeds even with horizontal and vertical bends*

Span Tech conveyors are plastic chain based, and are available with stainless steel or powder coated painted steel construction. Our conveyors have been designed and built with simplicity in mind, for simple maintenance and repairs.

The numerous options available will result in a conveyor or conveyor system that's ideal for your application.

Each is built and backed by Span Tech, a company that has earned its reputation as one of the finest in the material handling industry.



ST-Series

*Engineered for dependable, nearly maintenance-free operation.
Options to fit almost any application.*

The Span Tech ST-Series conveyors are straight conveyors. They are ideal for transporting packaged items, assembly work, or applications where belt conveyors have traditionally been used. The ST-Series comes with a fully assembled bed section and separate legs for quick assembly.

Features & Benefits:

- ◆ Thirteen (13) belt widths available for a variety of applications
- ◆ Speed range of 5 to 75 feet per minute (1.5 to 22.9 meters per minute)
Custom speed ranges available
- ◆ Increased load carrying capacity over a belt style conveyor
- ◆ Durable acetal chain provides long life, is completely self tracking, and is nearly silent running
- ◆ Two-piece drive and idler sprockets for ease of replacement without shaft removal
- ◆ Non-corroding stainless steel drive shaft and idler shaft
- ◆ Non-corroding stainless steel fasteners
- ◆ Nominal top of chain ranges from 22 inches (558.8mm) to 84 inches (2133mm)
- ◆ SpanLon wear strip and center support rail provide long-wearing, silent operation
- ◆ Conveyor lengths up to 104 feet (31.7 meters) available
- ◆ See individual models for minimum product size capability
- ◆ There are no "take ups" with Span Tech conveyors, as you have with belt conveyors. The overall length does not change.



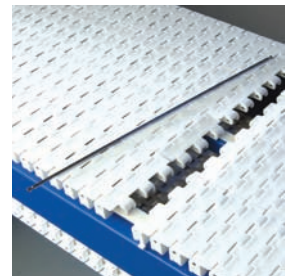
Gearmotor

SEW Eurodrive S Series Helical Worm Drive, 230 or 460 volt (3 phase) operation

Conveyor Framing

Base material is steel, coated with blue epoxy powder coat paint for a long lasting finish

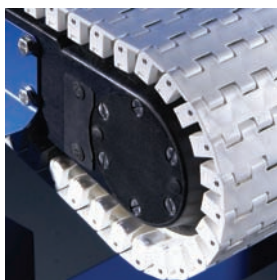
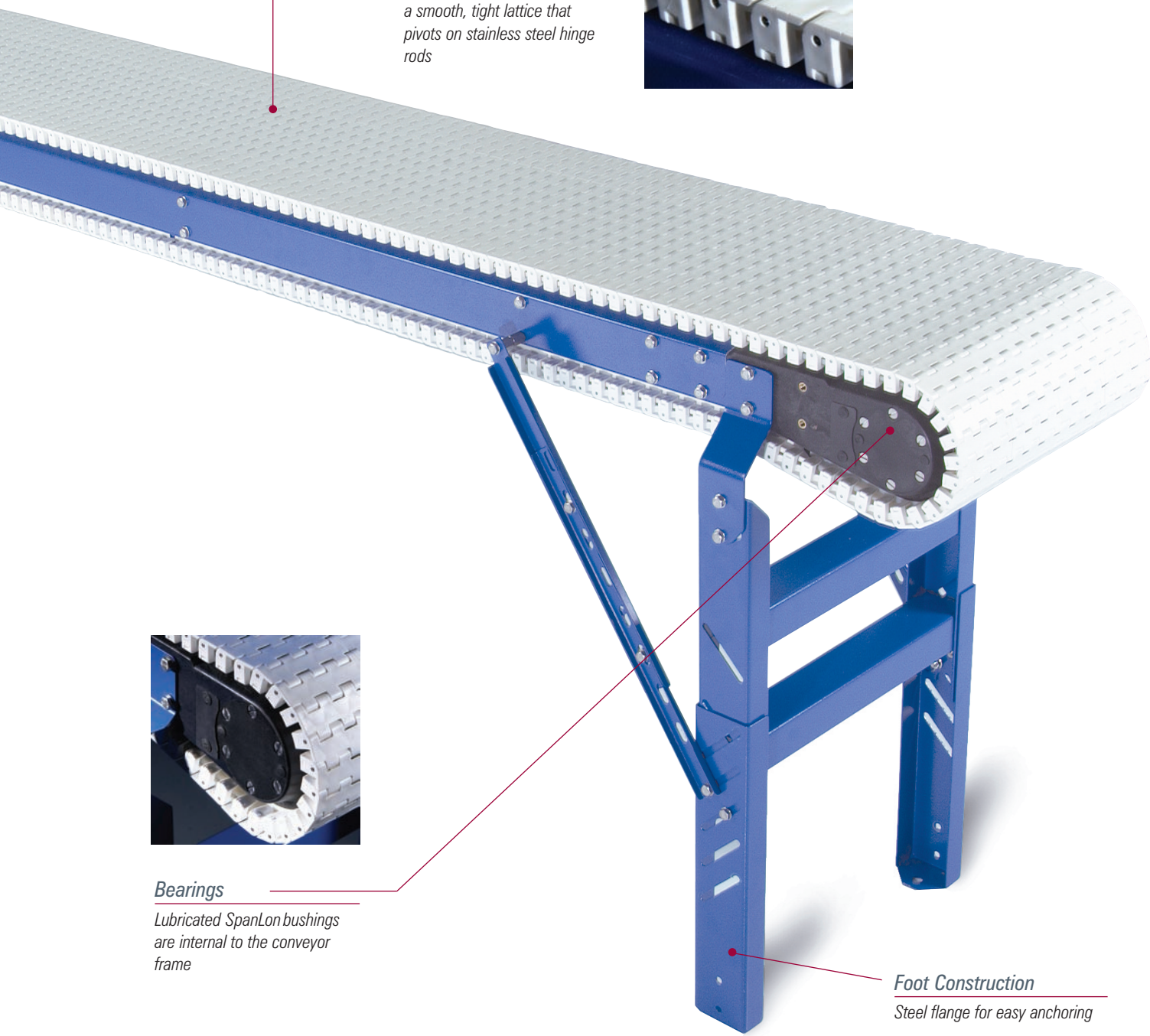
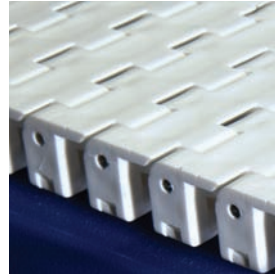
Ease of maintenance ...



Chain can be taken apart at any link

Conveyor Chain

White, acetal plastic with internal rollers for long life, ultra low starting inertia and virtually silent operation. Top surface is a smooth, tight lattice that pivots on stainless steel hinge rods



Bearings

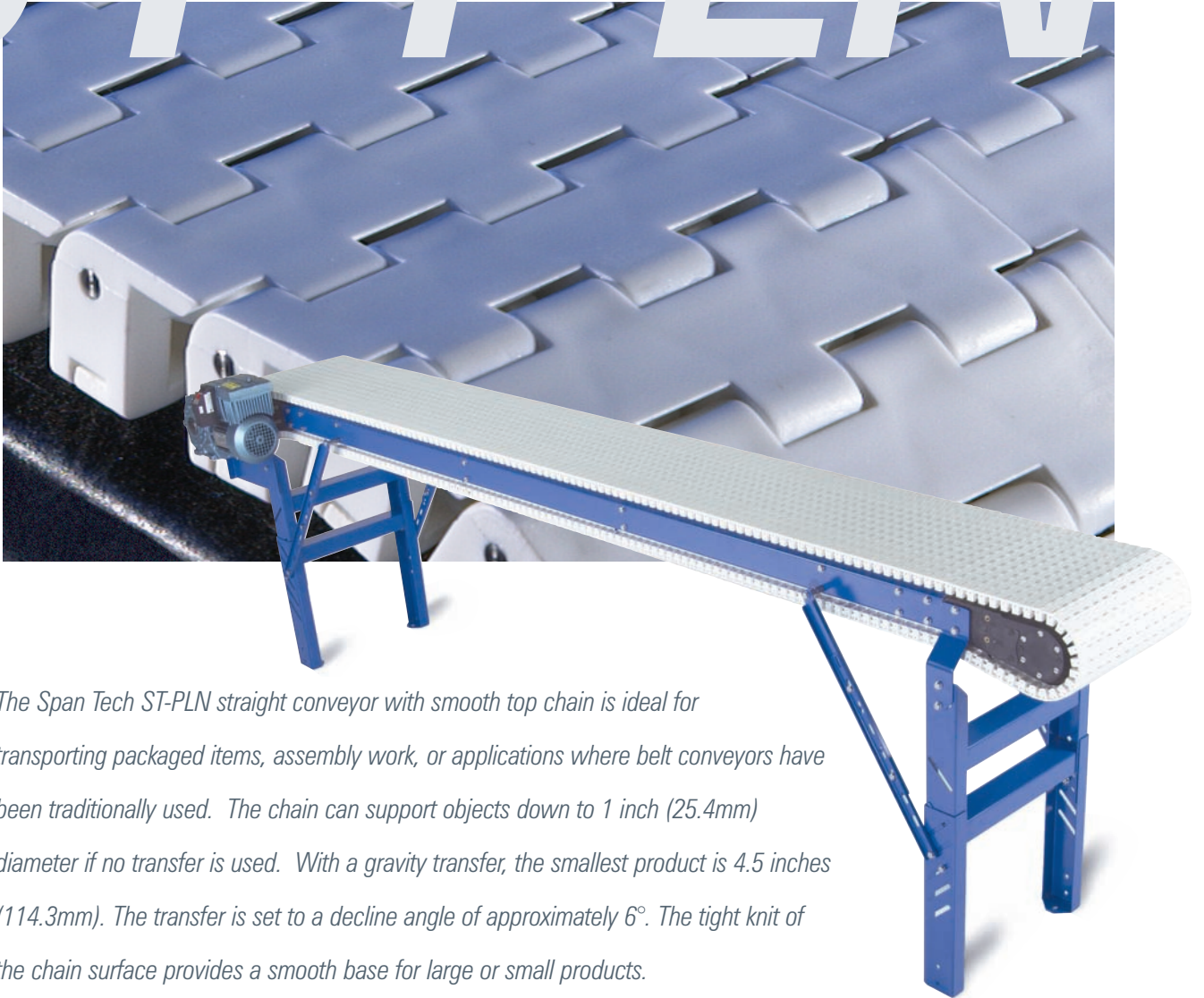
Lubricated SpanLon bushings are internal to the conveyor frame

Foot Construction

Steel flange for easy anchoring

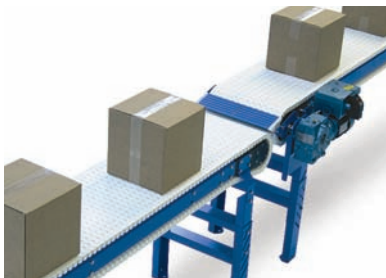
ST-PLN

ST-PLN Plain Chain



The Span Tech ST-PLN straight conveyor with smooth top chain is ideal for transporting packaged items, assembly work, or applications where belt conveyors have been traditionally used. The chain can support objects down to 1 inch (25.4mm) diameter if no transfer is used. With a gravity transfer, the smallest product is 4.5 inches (114.3mm). The transfer is set to a decline angle of approximately 6°. The tight knit of the chain surface provides a smooth base for large or small products.

Ideal for ...



Carton transporting



Light accumulation



Gravity transfers

ST-PLN Specifications

Dynamic Load Capacity (not to exceed 50 lbs. Per Linear Ft.)

Standard Conveyor @ 65 FPM

H.P.	3.76" Chain Width* Total Load		7.31" Chain Width Total Load		10.85" Chain Width Total Load		14.39" Chain Width Total Load		17.94" Chain Width Total Load		21.48" Chain Width Total Load		25.02" Chain Width Total Load	
	UP TO 50'	UP TO 104'	UP TO 50'	UP TO 104'	UP TO 50'	UP TO 104'	UP TO 50'	UP TO 104'	UP TO 50'	UP TO 104'	UP TO 50'	UP TO 104'	UP TO 50'	UP TO 104'
1/3 hp	600 lbs.	520 lbs.	550 lbs.	n/a	450 lbs.	n/a	400 lbs.	n/a	350 lbs.	n/a	300 lbs.	n/a	250 lbs.	n/a
1/2 hp	850 lbs.	728 lbs.	900 lbs.	728 lbs.	850 lbs.	1144 lbs.	750 lbs.	n/a	700 lbs.	n/a	650 lbs.	n/a	600 lbs.	n/a
3/4 hp	850 lbs.	728 lbs.	1400 lbs.	1248 lbs.	1350 lbs.	1456 lbs.	1300 lbs.	1040 lbs.	1250 lbs.	832 lbs.	1200 lbs.	728 lbs.	1150 lbs.	624 lbs.
1 hp	850 lbs.	728 lbs.	1700 lbs.	1560 lbs.	1650 lbs.	1456 lbs.	1850 lbs.	1560 lbs.	1800 lbs.	1352 lbs.	1700 lbs.	1248 lbs.	1650 lbs.	1144 lbs.

H.P.	28.57" Chain Width Total Load		32.11" Chain Width Total Load		35.65" Chain Width Total Load		39.20" Chain Width Total Load		42.74" Chain Width Total Load		46.28" Chain Width Total Load	
	UP TO 50'	UP TO 104'	UP TO 50'	UP TO 104'	UP TO 50'	UP TO 104'	UP TO 50'	UP TO 104'	UP TO 50'	UP TO 104'	UP TO 50'	UP TO 104'
1/3 hp	n/a	n/a	n/a	n/a	n/a	n/a	n/a	n/a	n/a	n/a	n/a	n/a
1/2 hp	550 lbs.	n/a	500 lbs.	n/a	400 lbs.	n/a	350 lbs.	n/a	311 lbs.	n/a	250 lbs.	n/a
3/4 hp	1100 lbs.	520 lbs.	1000 lbs.	n/a	950 lbs.	n/a	900 lbs.	n/a	850 lbs.	n/a	800 lbs.	n/a
1 hp	1600 lbs.	1040 lbs.	1550 lbs.	936 lbs.	1500 lbs.	832 lbs.	1450 lbs.	728 lbs.	1350 lbs.	520 lbs.	1300 lbs.	n/a

* 3.76" chain width only available in PLN and RAS style chains—both chain types will have an open spacing design instead of a closed top design

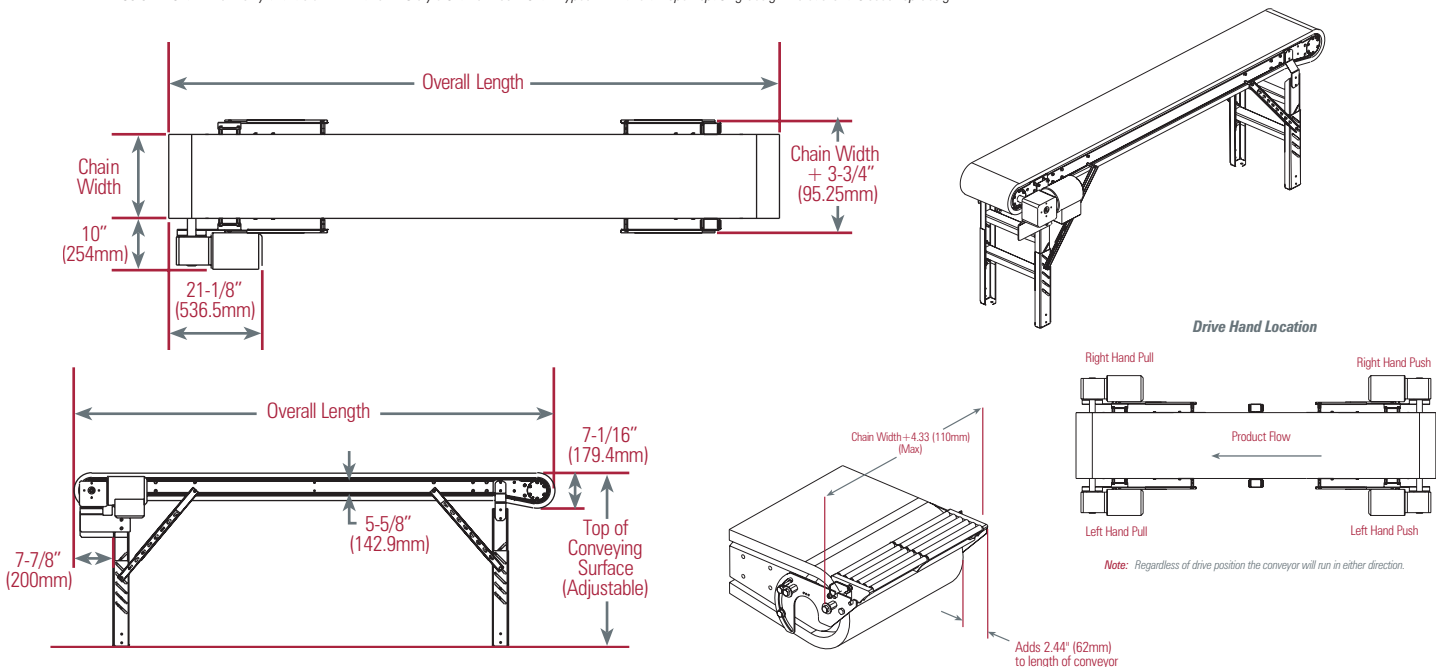
Dynamic Load Capacity (not to exceed 74kg Per Linear Meter)

Standard Conveyor @ 20 meters/minute

H.P.	95.5mm Chain Width* Total Load		185.7mm Chain Width Total Load		275.6mm Chain Width Total Load		365.5mm Chain Width Total Load		455.7mm Chain Width Total Load		545.6mm Chain Width Total Load		635.5mm Chain Width Total Load	
	UP TO 15 m	UP TO 31 m	UP TO 15 m	UP TO 31 m	UP TO 15 m	UP TO 31 m	UP TO 15 m	UP TO 31 m	UP TO 15 m	UP TO 31 m	UP TO 15 m	UP TO 31 m	UP TO 15 m	UP TO 31 m
1/3 hp	272 kg	236 kg	249 kg	n/a	204 kg	n/a	181 kg	n/a	159 kg	n/a	136 kg	n/a	113 kg	n/a
1/2 hp	385 kg	330 kg	408 kg	330 kg	385 kg	518 kg	340 kg	n/a	317 kg	n/a	295 kg	n/a	272 kg	n/a
3/4 hp	385 kg	330 kg	634 kg	565 kg	612 kg	660 kg	589 kg	471 kg	566 kg	377 kg	544 kg	330 kg	521 kg	283 kg
1 hp	385 kg	330 kg	770 kg	707 kg	748 kg	660 kg	838 kg	707 kg	816 kg	613 kg	770 kg	565 kg	748 kg	518 kg

H.P.	725.7mm Chain Width Total Load		815.6mm Chain Width Total Load		905.5mm Chain Width Total Load		995.7mm Chain Width Total Load		1085.6mm Chain Width Total Load		1175.5mm Chain Width Total Load	
	UP TO 15m	UP TO 31 m	UP TO 15m	UP TO 31 m	UP TO 15m	UP TO 31 m	UP TO 15m	UP TO 31 m	UP TO 15m	UP TO 31 m	UP TO 15m	UP TO 31 m
1/3 hp	n/a	n/a	n/a	n/a	n/a	n/a	n/a	n/a	n/a	n/a	n/a	n/a
1/2 hp	249 kg	n/a	226 kg	n/a	181 kg	n/a	159 kg	n/a	141 kg	n/a	113 kg	n/a
3/4 hp	498 kg	236 kg	453 kg	n/a	430 kg	n/a	408 kg	n/a	385 kg	n/a	362 kg	n/a
1 hp	725 kg	471 kg	702 kg	424 kg	680 kg	377 kg	657 kg	330 kg	612 kg	236 kg	589 kg	n/a

*95.5mm chain width only available in PLN and RAS style chains—both chain types will have an open spacing design instead of a closed top design



ST-RAS

ST-RAS Raised Chain

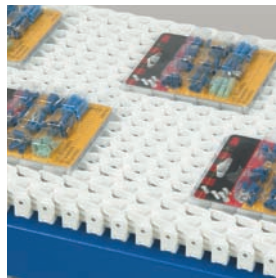


The Span Tech ST-RAS raised chain straight conveyor with a Finger Transfer can transfer products as small as 1.5 inches (38.1mm) in diameter. The transfer is set to a decline angle of approximately 10°. Raised top chain can also be used to reduce the amount of contact between the chain and the product, increasing airflow.

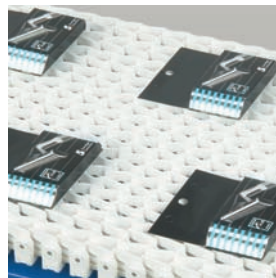
Ideal for ...



Small products



Delicate products



Packaging



Finger transfers

ST-RAS Specifications

Dynamic Load Capacity (not to exceed 50 lbs. Per Linear Ft.)

Standard Conveyor @ 65 FPM

H.P.	3.76" Chain Width* Total Load		7.31" Chain Width Total Load		10.85" Chain Width Total Load		14.39" Chain Width Total Load		17.94" Chain Width Total Load		21.48" Chain Width Total Load		25.02" Chain Width Total Load	
	UP TO 50'	UP TO 104'	UP TO 50'	UP TO 104'	UP TO 50'	UP TO 104'	UP TO 50'	UP TO 104'	UP TO 50'	UP TO 104'	UP TO 50'	UP TO 104'	UP TO 50'	UP TO 104'
1/3 hp	600 lbs.	520 lbs.	550 lbs.	n/a	450 lbs.	n/a	400 lbs.	n/a	350 lbs.	n/a	300 lbs.	n/a	250 lbs.	n/a
1/2 hp	850 lbs.	728 lbs.	900 lbs.	728 lbs.	850 lbs.	1144 lbs.	750 lbs.	n/a	700 lbs.	n/a	650 lbs.	n/a	600 lbs.	n/a
3/4 hp	850 lbs.	728 lbs.	1400 lbs.	1248 lbs.	1350 lbs.	1456 lbs.	1300 lbs.	1040 lbs.	1250 lbs.	832 lbs.	1200 lbs.	728 lbs.	1150 lbs.	624 lbs.
1 hp	850 lbs.	728 lbs.	1700 lbs.	1560 lbs.	1650 lbs.	1456 lbs.	1850 lbs.	1560 lbs.	1800 lbs.	1352 lbs.	1700 lbs.	1248 lbs.	1650 lbs.	1144 lbs.

H.P.	28.57" Chain Width Total Load		32.11" Chain Width Total Load		35.65" Chain Width Total Load		39.20" Chain Width Total Load		42.74" Chain Width Total Load		46.28" Chain Width Total Load	
	UP TO 50'	UP TO 104'	UP TO 50'	UP TO 104'	UP TO 50'	UP TO 104'	UP TO 50'	UP TO 104'	UP TO 50'	UP TO 104'	UP TO 50'	UP TO 104'
1/3 hp	n/a	n/a	n/a	n/a	n/a	n/a	n/a	n/a	n/a	n/a	n/a	n/a
1/2 hp	550 lbs.	n/a	500 lbs.	n/a	400 lbs.	n/a	350 lbs.	n/a	311 lbs.	n/a	250 lbs.	n/a
3/4 hp	1100 lbs.	520 lbs.	1000 lbs.	n/a	950 lbs.	n/a	900 lbs.	n/a	850 lbs.	n/a	800 lbs.	n/a
1 hp	1600 lbs.	1040 lbs.	1550 lbs.	936 lbs.	1500 lbs.	832 lbs.	1450 lbs.	728 lbs.	1350 lbs.	520 lbs.	1300 lbs.	n/a

* 3.76" chain width only available in PLN and RAS style chains—both chain types will have an open spacing design instead of a closed top design

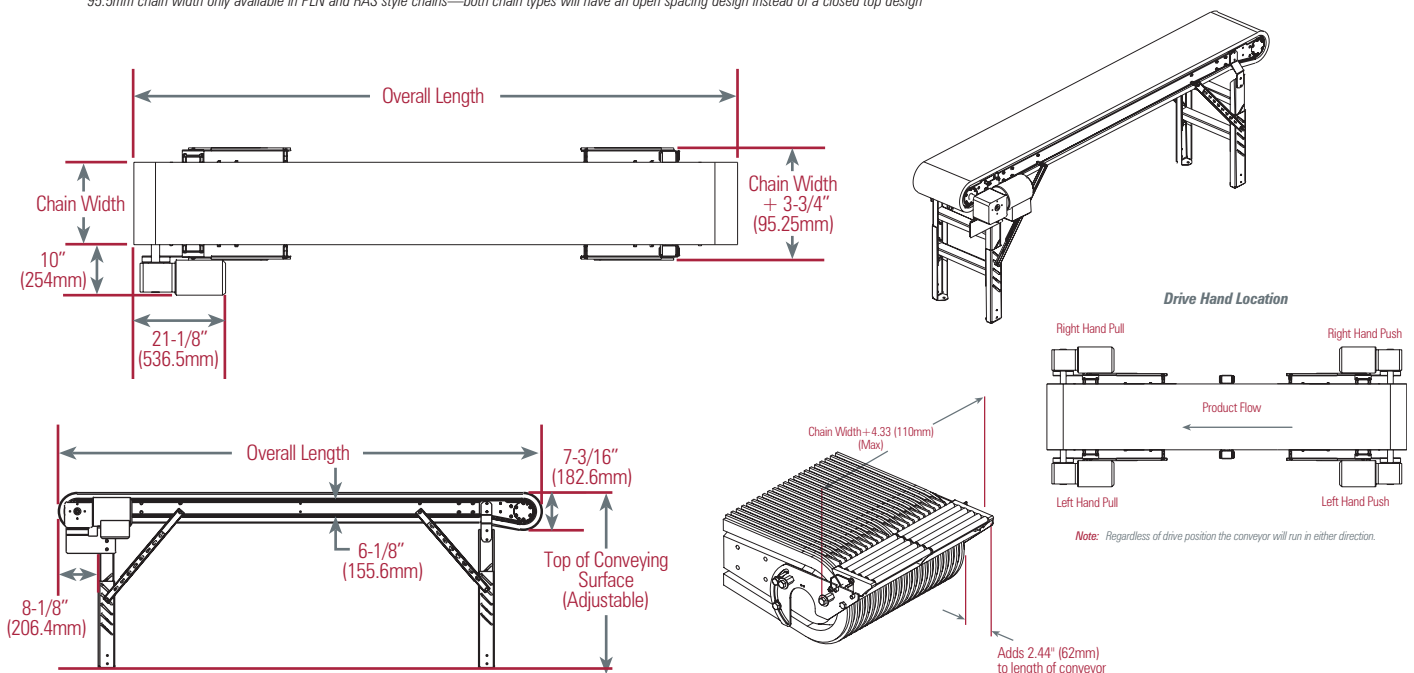
Dynamic Load Capacity (not to exceed 74kg Per Linear Meter)

Standard Conveyor @ 20 meters/minute

H.P.	95.5mm Chain Width* Total Load		185.7mm Chain Width Total Load		275.6mm Chain Width Total Load		365.5mm Chain Width Total Load		455.7mm Chain Width Total Load		545.6mm Chain Width Total Load		635.5mm Chain Width Total Load	
	UP TO 15 m	UP TO 31 m	UP TO 15 m	UP TO 31 m	UP TO 15 m	UP TO 31 m	UP TO 15 m	UP TO 31 m	UP TO 15 m	UP TO 31 m	UP TO 15 m	UP TO 31 m	UP TO 15 m	UP TO 31 m
1/3 hp	272 kg	236 kg	249 kg	n/a	204 kg	n/a	181 kg	n/a	159 kg	n/a	136 kg	n/a	113 kg	n/a
1/2 hp	385 kg	330 kg	408 kg	330 kg	385 kg	518 kg	340 kg	n/a	317 kg	n/a	295 kg	n/a	272 kg	n/a
3/4 hp	385 kg	330 kg	634 kg	565 kg	612 kg	660 kg	589 kg	471 kg	566 kg	377 kg	544 kg	330 kg	521 kg	283 kg
1 hp	385 kg	330 kg	770 kg	707 kg	748 kg	660 kg	838 kg	707 kg	816 kg	613 kg	770 kg	565 kg	748 kg	518 kg

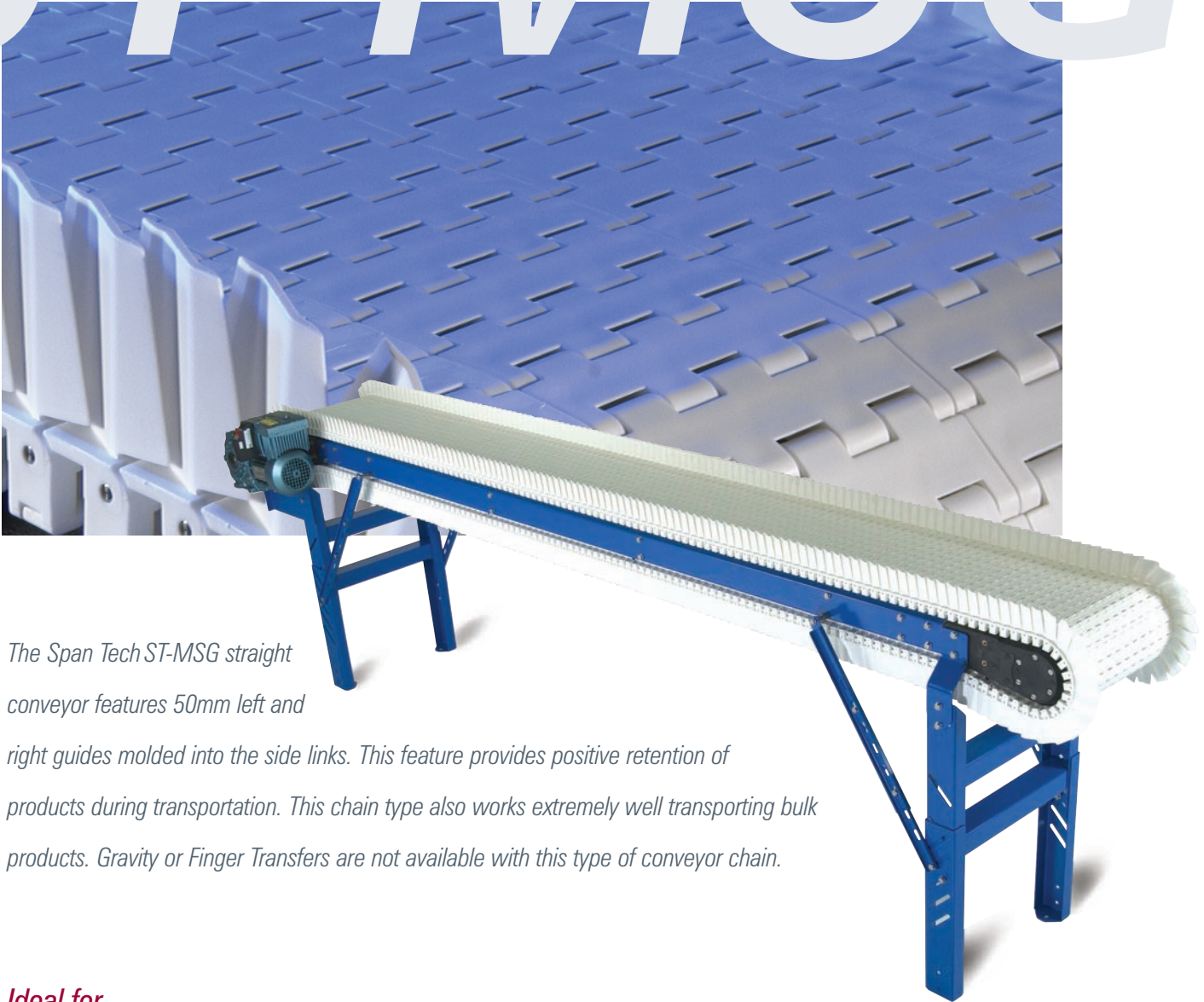
H.P.	725.7mm Chain Width Total Load		815.6mm Chain Width Total Load		905.5mm Chain Width Total Load		995.7mm Chain Width Total Load		1085.6mm Chain Width Total Load		1175.5mm Chain Width Total Load	
	UP TO 15m	UP TO 31 m	UP TO 15m	UP TO 31 m	UP TO 15m	UP TO 31 m	UP TO 15m	UP TO 31 m	UP TO 15m	UP TO 31 m	UP TO 15m	UP TO 31 m
1/3 hp	n/a	n/a	n/a	n/a	n/a	n/a	n/a	n/a	n/a	n/a	n/a	n/a
1/2 hp	249 kg	n/a	226 kg	n/a	181 kg	n/a	159 kg	n/a	141 kg	n/a	113 kg	n/a
3/4 hp	498 kg	236 kg	453 kg	n/a	430 kg	n/a	408 kg	n/a	385 kg	n/a	362 kg	n/a
1 hp	725 kg	471 kg	702 kg	424 kg	680 kg	377 kg	657 kg	330 kg	612 kg	236 kg	589 kg	n/a

*95.5mm chain width only available in PLN and RAS style chains—both chain types will have an open spacing design instead of a closed top design



ST-MSG

ST-MSG Moving Side Guide Chain



The Span Tech ST-MSG straight conveyor features 50mm left and right guides molded into the side links. This feature provides positive retention of products during transportation. This chain type also works extremely well transporting bulk products. Gravity or Finger Transfers are not available with this type of conveyor chain.

Ideal for ...



Irregular shapes



Bulk product



Unsteady product

ST-MSG Specifications

Dynamic Load Capacity (not to exceed 50 lbs. Per Linear Ft.)F

Standard Conveyor @ 65 FPM

H.P	7.31" Chain Width Total Load		10.85" Chain Width Total Load		14.39" Chain Width Total Load		17.94" Chain Width Total Load		21.48" Chain Width Total Load		25.02" Chain Width Total Load	
	UP TO 50'	UP TO 104'	UP TO 50'	UP TO 104'	UP TO 50'	UP TO 104'	UP TO 50'	UP TO 104'	UP TO 50'	UP TO 104'	UP TO 50'	UP TO 104'
1/3 hp	1210 lbs.	1020 lbs.	1130 lbs.	870 lbs.	1060 lbs.	710 lbs.	1000 lbs.	590 lbs.	920 lbs.	430 lbs.	850 lbs.	280 lbs.
1/2 hp	1930 lbs.	1740 lbs.	1850 lbs.	1590 lbs.	1780 lbs.	1430 lbs.	1720 lbs.	1310 lbs.	1650 lbs.	1160 lbs.	1570 lbs.	1000 lbs.
3/4 hp	2500 lbs.	2830 lbs.	2500 lbs.	2680 lbs.	2500 lbs.	2520 lbs.	2500 lbs.	2400 lbs.	2500 lbs.	2250 lbs.	2500 lbs.	2090 lbs.
1 hp	2500 lbs.	3900 lbs.	2500 lbs.	3740 lbs.	2500 lbs.	3590 lbs.	2500 lbs.	3470 lbs.	2500 lbs.	3310 lbs.	2500 lbs.	3150 lbs.

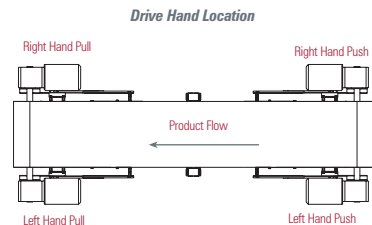
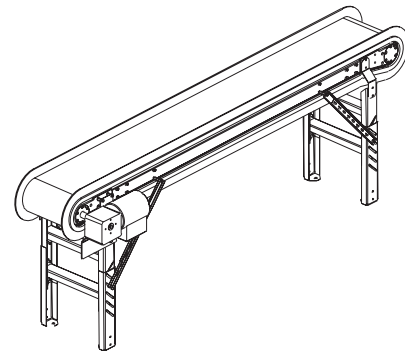
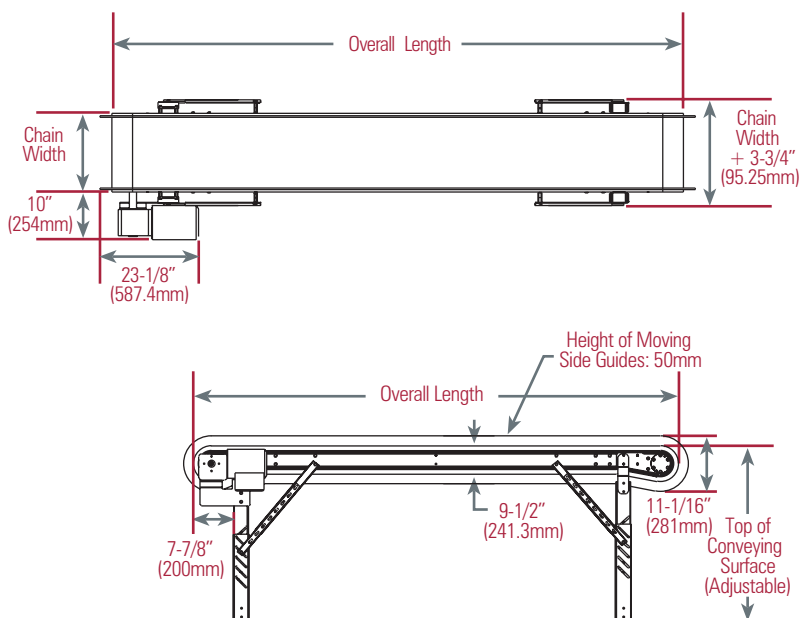
H.P	28.57" Chain Width Total Load		32.11" Chain Width Total Load		35.65" Chain Width Total Load		39.20" Chain Width Total Load		42.74" Chain Width Total Load		46.28" Chain Width Total Load	
	UP TO 50'	UP TO 104'	UP TO 50'	UP TO 104'	UP TO 50'	UP TO 104'	UP TO 50'	UP TO 104'	UP TO 50'	UP TO 104'	UP TO 50'	UP TO 104'
1/3 hp	770 lbs.	120 lbs.	700 lbs.	n/a	620 lbs.	n/a	550 lbs.	n/a	480 lbs.	n/a	400 lbs.	n/a
1/2 hp	1500 lbs.	840 lbs.	1420 lbs.	690 lbs.	1350 lbs.	530 lbs.	1270 lbs.	380 lbs.	1200 lbs.	220 lbs.	1120 lbs.	70 lbs.
3/4 hp	2500 lbs.	1930 lbs.	2500 lbs.	1780 lbs.	2440 lbs.	1620 lbs.	2360 lbs.	1470 lbs.	2290 lbs.	1310 lbs.	2210 lbs.	1160 lbs.
1 hp	2500 lbs.	3000 lbs.	2500 lbs.	2840 lbs.	2500 lbs.	2690 lbs.	2500 lbs.	2530 lbs.	2500 lbs.	2380 lbs.	2500 lbs.	2220 lbs.

Dynamic Load Capacity (not to exceed 74 kg Per Linear Meter)

Standard Conveyor @ 20 meters per minute

H.P	185 mm Chain Width Total Load		275 mm Chain Width Total Load		365 mm Chain Width Total Load		455 mm Chain Width Total Load		545 mm Chain Width Total Load		635 mm Chain Width Total Load	
	UP TO 15 m	UP TO 31 m	UP TO 15 m	UP TO 31 m	UP TO 15 m	UP TO 31 m	UP TO 15 m	UP TO 31 m	UP TO 15 m	UP TO 31 m	UP TO 15 m	UP TO 31 m
1/3 hp	549 kg	463 kg	513 kg	395 kg	481 kg	322 kg	454 kg	268 kg	417 kg	195 kg	386 kg	127 kg
1/2 hp	875 kg	789 kg	839 kg	721 kg	807 kg	649 kg	780 kg	594 kg	748 kg	526 kg	712 kg	454 kg
3/4 hp	1134 kg	1284 kg	1134 kg	1216 kg	1134 kg	1143 kg	1134 kg	1089 kg	1134 kg	1021 kg	1134 kg	948 kg
1 hp	1134 kg	1769 kg	1134 kg	1696 kg	1134 kg	1628 kg	1134 kg	1574 kg	1134 kg	1501 kg	1134 kg	1429 kg

H.P	725 mm Chain Width Total Load		815 mm Chain Width Total Load		905 mm Chain Width Total Load		995 mm Chain Width Total Load		1085 mm Chain Width Total Load		1175 mm Chain Width Total Load	
	UP TO 15 m	UP TO 31 m	UP TO 15 m	UP TO 31 m	UP TO 15 m	UP TO 31 m	UP TO 15 m	UP TO 31 m	UP TO 15 m	UP TO 31 m	UP TO 15 m	UP TO 31 m
1/3 hp	349 kg	54 kg	318 kg	n/a	281 kg	n/a	249 kg	n/a	218 kg	n/a	181 kg	n/a
1/2 hp	680 kg	381 kg	644 kg	313 kg	612 kg	240 kg	576 kg	172 kg	544 kg	100 kg	508 kg	32 kg
3/4 hp	1134 kg	875 kg	1134 kg	807 kg	1107 kg	735 kg	1070 kg	667 kg	1039 kg	594 kg	1002 kg	526 kg
1 hp	1134 kg	1361 kg	1134 kg	1288 kg	1134 kg	1220 kg	1134 kg	1148 kg	1134 kg	1080 kg	1134 kg	1007 kg



Note: Regardless of drive position the conveyor will run in either direction.

ST-ROL

ST-ROL Roller Chain



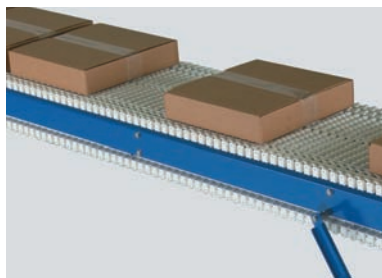
The Span Tech ST-ROL straight conveyor with roller chain is essential for products requiring low back pressure for accumulation. Acetal rollers are set into the chain and turn freely on the stainless steel axle. This allows product to stay in place while the chain moves beneath it, nearly eliminating abrasion to the product.

Do not use this product where people's hands would be near the chain.

Ideal for ...



Increased accumulation



Carton transporting



Gravity transfers

ST-ROL Specifications

Dynamic Load Capacity (not to exceed 50 lbs. Per Linear Ft.)

Standard Conveyor @ 65 FPM

H.P	7.31" Chain Width Total Load		10.85" Chain Width Total Load		14.39" Chain Width Total Load		17.94" Chain Width Total Load		21.48" Chain Width Total Load		25.02" Chain Width Total Load	
	UP TO 50'	UP TO 104'	UP TO 50'	UP TO 104'	UP TO 50'	UP TO 104'	UP TO 50'	UP TO 104'	UP TO 50'	UP TO 104'	UP TO 50'	UP TO 104'
1/3 hp	1210 lbs.	1020 lbs.	1130 lbs.	870 lbs.	1060 lbs.	710 lbs.	1000 lbs.	590 lbs.	920 lbs.	430 lbs.	850 lbs.	280 lbs.
1/2 hp	1930 lbs.	1740 lbs.	1850 lbs.	1590 lbs.	1780 lbs.	1430 lbs.	1720 lbs.	1310 lbs.	1650 lbs.	1160 lbs.	1570 lbs.	1000 lbs.
3/4 hp	2500 lbs.	2830 lbs.	2500 lbs.	2680 lbs.	2500 lbs.	2520 lbs.	2500 lbs.	2400 lbs.	2500 lbs.	2250 lbs.	2500 lbs.	2090 lbs.
1 hp	2500 lbs.	3900 lbs.	2500 lbs.	3740 lbs.	2500 lbs.	3590 lbs.	2500 lbs.	3470 lbs.	2500 lbs.	3310 lbs.	2500 lbs.	3150 lbs.

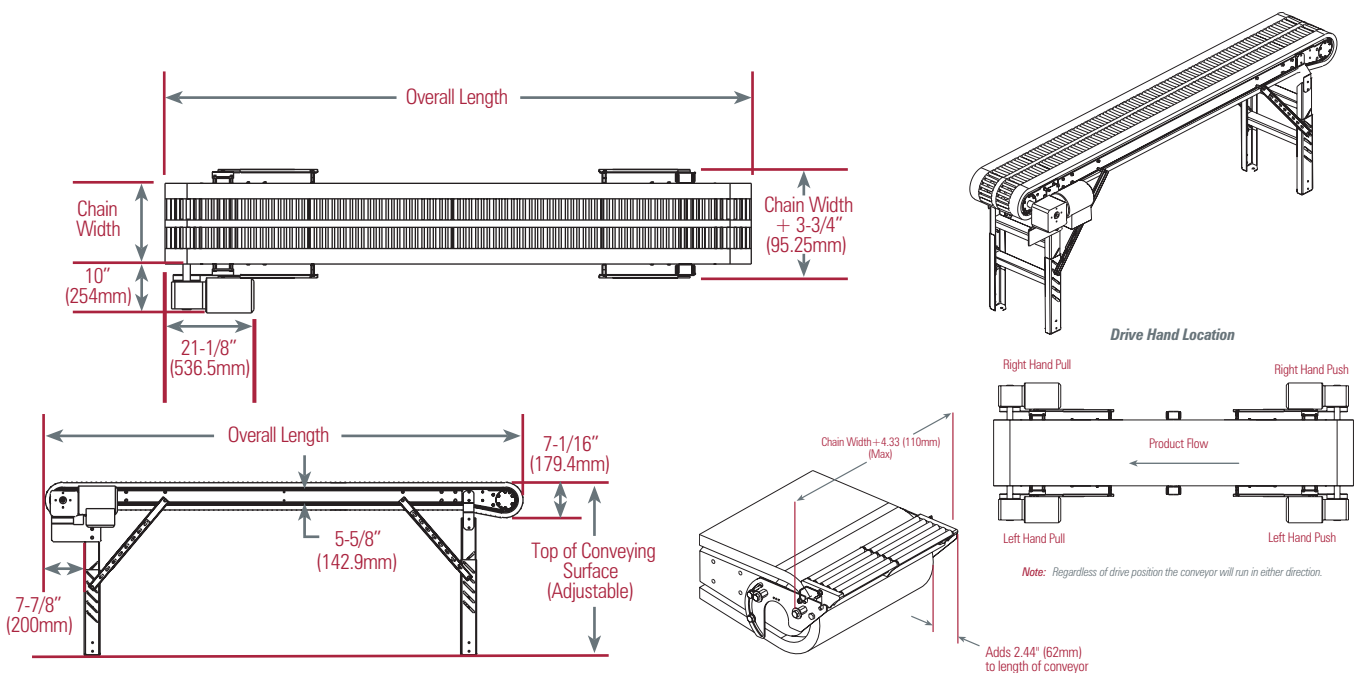
H.P	28.57" Chain Width Total Load		32.11" Chain Width Total Load		35.65" Chain Width Total Load		39.20" Chain Width Total Load		42.74" Chain Width Total Load		46.28" Chain Width Total Load	
	UP TO 50'	UP TO 104'	UP TO 50'	UP TO 104'	UP TO 50'	UP TO 104'	UP TO 50'	UP TO 104'	UP TO 50'	UP TO 104'	UP TO 50'	UP TO 104'
1/3 hp	770 lbs.	120 lbs.	700 lbs.	n/a	620 lbs.	n/a	550 lbs.	n/a	480 lbs.	n/a	400 lbs.	n/a
1/2 hp	1500 lbs.	840 lbs.	1420 lbs.	690 lbs.	1350 lbs.	530 lbs.	1200 lbs.	380 lbs.	1200 lbs.	220 lbs.	1120 lbs.	70 lbs.
3/4 hp	2500 lbs.	1930 lbs.	2500 lbs.	1780 lbs.	2440 lbs.	1620 lbs.	2360 lbs.	1470 lbs.	2290 lbs.	1310 lbs.	2210 lbs.	1160 lbs.
1 hp	2500 lbs.	3000 lbs.	2500 lbs.	2840 lbs.	2500 lbs.	2690 lbs.	2500 lbs.	2530 lbs.	2500 lbs.	2380 lbs.	2500 lbs.	2220 lbs.

Dynamic Load Capacity (not to exceed 74 kg Per Linear Meter)

Standard Conveyor @ 20 meters per minute

H.P	185 mm Chain Width Total Load		275 mm Chain Width Total Load		365 mm Chain Width Total Load		455 mm Chain Width Total Load		545 mm Chain Width Total Load		635 mm Chain Width Total Load	
	UP TO 15 m	UP TO 31 m	UP TO 15 m	UP TO 31 m	UP TO 15 m	UP TO 31 m	UP TO 15 m	UP TO 31 m	UP TO 15 m	UP TO 31 m	UP TO 15 m	UP TO 31 m
1/3 hp	549 kg	463 kg	513 kg	395 kg	481 kg	322 kg	454 kg	268 kg	417 kg	195 kg	386 kg	127 kg
1/2 hp	875 kg	789 kg	839 kg	721 kg	807 kg	649 kg	780 kg	594 kg	748 kg	526 kg	712 kg	454 kg
3/4 hp	1134 kg	1284 kg	1134 kg	1216 kg	1134 kg	1143 kg	1134 kg	1089 kg	1134 kg	1021 kg	1134 kg	948 kg
1 hp	1134 kg	1769 kg	1134 kg	1696 kg	1134 kg	1628 kg	1134 kg	1574 kg	1134 kg	1501 kg	1134 kg	1429 kg

H.P	725 mm Chain Width Total Load		815 mm Chain Width Total Load		905 mm Chain Width Total Load		995 mm Chain Width Total Load		1085 mm Chain Width Total Load		1175 mm Chain Width Total Load	
	UP TO 15 m	UP TO 31 m	UP TO 15 m	UP TO 31 m	UP TO 15 m	UP TO 31 m	UP TO 15 m	UP TO 31 m	UP TO 15 m	UP TO 31 m	UP TO 15 m	UP TO 31 m
1/3 hp	349 kg	54 kg	318 kg	n/a	281 kg	n/a	249 kg	n/a	218 kg	n/a	181 kg	n/a
1/2 hp	680 kg	381 kg	644 kg	313 kg	612 kg	240 kg	576 kg	172 kg	544 kg	100 kg	508 kg	32 kg
3/4 hp	1134 kg	875 kg	1134 kg	807 kg	1107 kg	735 kg	1070 kg	667 kg	1039 kg	594 kg	1002 kg	526 kg
1 hp	1134 kg	1361 kg	1134 kg	1288 kg	1134 kg	1220 kg	1134 kg	1148 kg	1134 kg	1080 kg	1134 kg	1007 kg



Options



Fixed Offset Guide Rail

Inside face of guide rail matches with edge of conveyor chain. The guide rail material is ultra-high molecular weight polyethylene with a galvanized steel back channel for durability. The guide rail comes in both 1.25 inch (31.8mm) and 2.25 inch (57.2mm) widths.



Side Guarding

Optional side guarding is highly recommended when operators are required to work near or around the conveyors. The guarding design also provides a 7/8" (22.2mm) tall guide for product. The guard takes up 3/8" (9.5mm) of chain width per side. Made of mild steel and powder coated to match the conveyor.



Gravity Transfer

This option permits transfer onto and off of the ends of the conveyor. These units lift out and are held in place by gravity as a safety feature to prevent objects from becoming lodged between the conveyor chain and the transfer rollers. The transfer uses small acetal rollers mounted on 4mm stainless steel rods. The unit is pitch adjustable from level to -15° at the discharge end and from +15° to level on the load end. See Transfer Guidelines chart for application guidelines.



Movimot® Speed Controller

This is a frequency inverter built into the conduit box of the drive motor, with no external wiring other than your incoming power lines. Movimot® provides you with the lowest cost method of controlling the speed of your conveyor. The unit is capable of 200 to 500 volts AC and has a frequency range of 20 to 80 hertz. The unit features an integrated potentiometer for setting acceleration and deceleration times. It is IP65 hose proof/dust proof enclosed.



Slave Drive

The Span Tech Slave Drive unit is available for plain and raised style chains. This option allows two different conveyors to be driven by a single gear-motor. Consult a Span Tech representative for compatibility with your system.



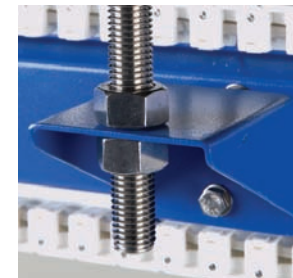
Articulated Foot

Made of plastic with a steel reinforced core and non-slip pad attached to the underside of the foot, these feet provide a freestanding support for the conveyor frame. Foot option increases top of chain elevation 5" (127mm).



Caster

4" (100mm) diameter locking caster for mounting on the conveyor leg. As a safety limitation, not available on conveyors weighing more than 800 lbs. (364 kilos). Foot option increases top of chain elevation 5" (127mm). The maximum conveyor height is 47" (119.4cm) for casters.



Ceiling Support Bracket

Painted mild steel brackets bolt to the side of the conveyor frame and support your system on 5/8" (15mm) hanger rods.

Options for ST Series Conveyors

	Fixed Offset Guide Rail	Side Guarding	Gravity Transfer	Movimot Speed Controller	Slave Drive Capable	Articulated Foot	Caster	Ceiling Support Brackets
ST-PLN	•	•	•	•	•	•	•	•
ST-RAS	•	•	•	•	•	•	•	•
ST-MSG	•	•	•	•	•	•	•	•
ST-ROL	•	•	•	•	•	•	•	•

ST-Series Specifications

ST-Series Conveyor Weight Bed & Chain With Supports (in pounds)

Overall Length	Chain Width											
	7.31"	10.85"	14.39"	17.94"	21.48"	25.02"	28.57"	32.11"	35.65"	39.20"	42.74"	46.28"
2'	59 lb.	66 lb.	76 lb.	86 lb.	95 lb.	103 lb.	110 lb.	118 lb.	128 lb.	137 lb.	145 lb.	153 lb.
4'	73 lb.	83 lb.	96 lb.	107 lb.	120 lb.	132 lb.	142 lb.	153 lb.	166 lb.	178 lb.	189 lb.	199 lb.
8'	100 lb.	115 lb.	135 lb.	151 lb.	169 lb.	191 lb.	207 lb.	224 lb.	242 lb.	261 lb.	277 lb.	293 lb.
14'	141 lb.	164 lb.	193 lb.	217 lb.	244 lb.	280 lb.	304 lb.	329 lb.	357 lb.	384 lb.	409 lb.	433 lb.
20'	199 lb.	230 lb.	270 lb.	302 lb.	339 lb.	391 lb.	424 lb.	459 lb.	497 lb.	535 lb.	569 lb.	603 lb.
26'	240 lb.	279 lb.	329 lb.	368 lb.	414 lb.	479 lb.	521 lb.	564 lb.	612 lb.	658 lb.	701 lb.	743 lb.
32'	297 lb.	345 lb.	406 lb.	454 lb.	509 lb.	590 lb.	642 lb.	694 lb.	752 lb.	809 lb.	861 lb.	913 lb.
38'	339 lb.	394 lb.	464 lb.	519 lb.	583 lb.	679 lb.	739 lb.	800 lb.	866 lb.	933 lb.	994 lb.	1053 lb.
44'	396 lb.	460 lb.	541 lb.	605 lb.	679 lb.	789 lb.	859 lb.	929 lb.	1007 lb.	1083 lb.	1154 lb.	1223 lb.
50'	437 lb.	509 lb.	600 lb.	671 lb.	753 lb.	878 lb.	956 lb.	1035 lb.	1121 lb.	1207 lb.	1286 lb.	1363 lb.
56'	495 lb.	576 lb.	677 lb.	756 lb.	848 lb.	989 lb.	1076 lb.	1165 lb.	1261 lb.	1357 lb.	1446 lb.	1533 lb.
62'	536 lb.	625 lb.	735 lb.	822 lb.	923 lb.	1077 lb.	1174 lb.	1270 lb.	1376 lb.	1481 lb.	1578 lb.	1674 lb.
68'	593 lb.	691 lb.	812 lb.	907 lb.	1018 lb.	1188 lb.	1294 lb.	1400 lb.	1516 lb.	1631 lb.	1738 lb.	1843 lb.
74'	635 lb.	740 lb.	871 lb.	973 lb.	1093 lb.	1277 lb.	1391 lb.	1505 lb.	1631 lb.	1755 lb.	1870 lb.	1984 lb.
80'	692 lb.	806 lb.	948 lb.	1058 lb.	1188 lb.	1387 lb.	1511 lb.	1635 lb.	1771 lb.	1906 lb.	2030 lb.	2153 lb.
86'	733 lb.	855 lb.	1006 lb.	1124 lb.	1262 lb.	1476 lb.	1608 lb.	1740 lb.	1886 lb.	2029 lb.	2163 lb.	2294 lb.
92'	790 lb.	921 lb.	1083 lb.	1209 lb.	1358 lb.	1587 lb.	1729 lb.	1870 lb.	2026 lb.	2180 lb.	2323 lb.	2463 lb.
98'	832 lb.	970 lb.	1142 lb.	1275 lb.	1432 lb.	1675 lb.	1826 lb.	1976 lb.	2140 lb.	2303 lb.	2455 lb.	2604 lb.
104'	889 lb.	1036 lb.	1219 lb.	1361 lb.	1527 lb.	1786 lb.	1946 lb.	2105 lb.	2281 lb.	2454 lb.	2615 lb.	2773 lb.

ST Series Conveyor Weight Bed & Chain With Supports (in kg)

Overall Length	Chain Width											
	185 mm	275 mm	365 mm	455 mm	545 mm	635 mm	725 mm	815 mm	905 mm	995 mm	1085 mm	1175 mm
0.6 m	27 kg	30 kg	35 kg	39 kg	43 kg	47 kg	50 kg	54 kg	58 kg	62 kg	66 kg	69 kg
1.2 m	33 kg	37 kg	43 kg	49 kg	54 kg	60 kg	64 kg	70 kg	75 kg	81 kg	86 kg	90 kg
2.4 m	45 kg	52 kg	61 kg	69 kg	77 kg	87 kg	94 kg	101 kg	110 kg	118 kg	126 kg	133 kg
4.3 m	64 kg	74 kg	88 kg	98 kg	111 kg	127 kg	138 kg	149 kg	162 kg	174 kg	186 kg	197 kg
6.1 m	90 kg	104 kg	123 kg	137 kg	154 kg	177 kg	192 kg	208 kg	225 kg	243 kg	258 kg	274 kg
7.9 m	109 kg	127 kg	149 kg	167 kg	188 kg	217 kg	236 kg	256 kg	277 kg	299 kg	318 kg	337 kg
9.8 m	135 kg	157 kg	184 kg	206 kg	231 kg	268 kg	291 kg	315 kg	341 kg	367 kg	391 kg	414 kg
11.6 m	154 kg	179 kg	211 kg	236 kg	265 kg	308 kg	335 kg	363 kg	393 kg	423 kg	451 kg	478 kg
13.4 m	180 kg	209 kg	246 kg	274 kg	308 kg	358 kg	390 kg	422 kg	457 kg	491 kg	523 kg	555 kg
15.2 m	198 kg	231 kg	272 kg	304 kg	342 kg	398 kg	434 kg	469 kg	509 kg	547 kg	583 kg	618 kg
17.1 m	224 kg	261 kg	307 kg	343 kg	385 kg	448 kg	488 kg	528 kg	572 kg	616 kg	656 kg	695 kg
18.9 m	243 kg	283 kg	334 kg	373 kg	419 kg	489 kg	532 kg	576 kg	624 kg	672 kg	716 kg	759 kg
20.7 m	269 kg	313 kg	368 kg	411 kg	462 kg	539 kg	587 kg	635 kg	688 kg	740 kg	788 kg	836 kg
22.6 m	288 kg	335 kg	395 kg	441 kg	496 kg	579 kg	631 kg	683 kg	740 kg	796 kg	848 kg	900 kg
24.4 m	314 kg	365 kg	430 kg	480 kg	539 kg	629 kg	685 kg	742 kg	803 kg	864 kg	921 kg	977 kg
26.2 m	333 kg	388 kg	456 kg	510 kg	573 kg	670 kg	730 kg	789 kg	855 kg	920 kg	981 kg	1040 kg
28.0 m	359 kg	418 kg	491 kg	549 kg	616 kg	720 kg	784 kg	848 kg	919 kg	989 kg	1054 kg	1117 kg
29.9 m	377 kg	440 kg	518 kg	578 kg	650 kg	760 kg	828 kg	896 kg	971 kg	1045 kg	1114 kg	1181 kg
31.7 m	403 kg	470 kg	553 kg	617 kg	693 kg	810 kg	883 kg	955 kg	1034 kg	1113 kg	1186 kg	1258 kg

ST-Series Transfer Guidelines

Model & Chain Type	Transfer Type	Smallest Diameter Product Recommended	Maximum Height Recommended	Decline Angle of Transfer	Conveyor Speed Tested	Weight Tested
ST-PLN	Plain with rollers	4.5" (114.3 mm)	9" (228.6mm)	6°	65 fpm	97.8 oz. (2774 g)
ST-RAS	Finger Transfer	1.5" (38.1mm)	1.25" (31.75mm)	10°	65 fpm	1.45 oz. (41 g)
ST-MSG	Transfer not available	X	X	X	X	X
ST-ROL	Plain with rollers	4.5" (114.3 mm)	9" (228.6mm)	6°	65 fpm	97.8 oz. (2774 g)

Information based upon controlled environment and specific product.

Smallest Recommended Product Diameter For Chain Surface

ST-PLN	1" (25.4mm)
ST-RAS	1.125" (28.6mm)
ST-MSG	1" (25.4mm)
ST-ROL	2.16" (55mm)



*Span Tech LLC
1115 Cleveland Avenue
P. O. Box 369
Glasgow, Kentucky 42141
Phone: (270) 651-9166
general_info@spantechllc.com
www.spantechllc.com*